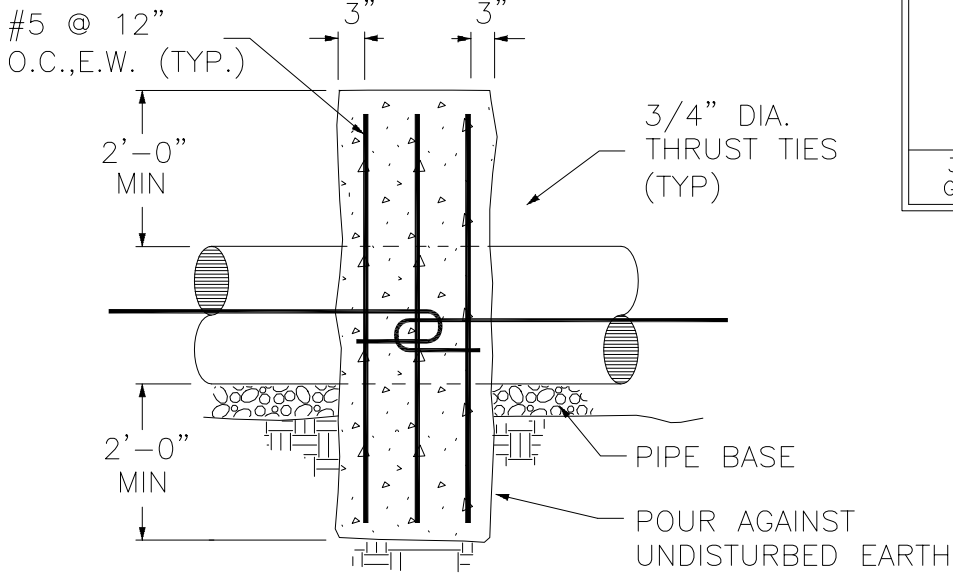


PLAN

TIE ROD SCHEDULE		
PIPE DIAMETER (IN.)	TIE RODS	
	DIAMETER (IN.)	NO. REQUIRED
4	3/4	2
6	3/4	3
8	3/4	3
10	3/4	4
12	3/4	4
14	3/4	5
16	3/4	6
18	3/4	6
20	3/4	7
24	3/4	8
30 AND GREATER	AS DIRECTED BY ENGINEER	



PROFILE



WATER WORKS & SANITARY SEWER BOARD
 Montgomery Alabama

MISCELLANEOUS DETAILS

TITLE: **REINFORCED THRUST BLOCK DEADMAN (TWO WAY RESTRAINT)**

DRAWING NO.:

125

DESIGNED: TL DATE: 09/00 SCALE: NOT TO SCALE
 CHECKED: BH REVISED: