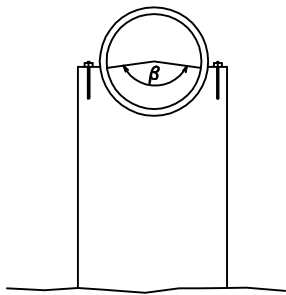


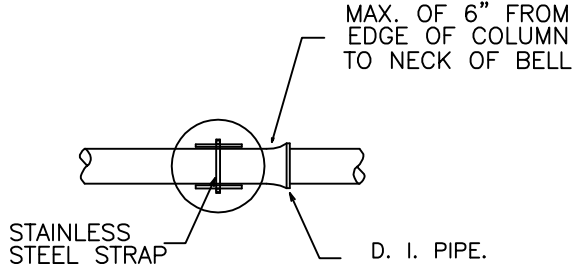
PIPE SIZE	STRAP SIZE	MIN. BEAM SIZE	MIN. CIRCULAR COLUMN
8"	1/2" x 3"	12"X12"-(W12X35)	26"
10"	1/2" x 3"	14"X14"-(W14X34)	30"
12"	1/2" x 6"	16"X16"-(W16X36)	30"



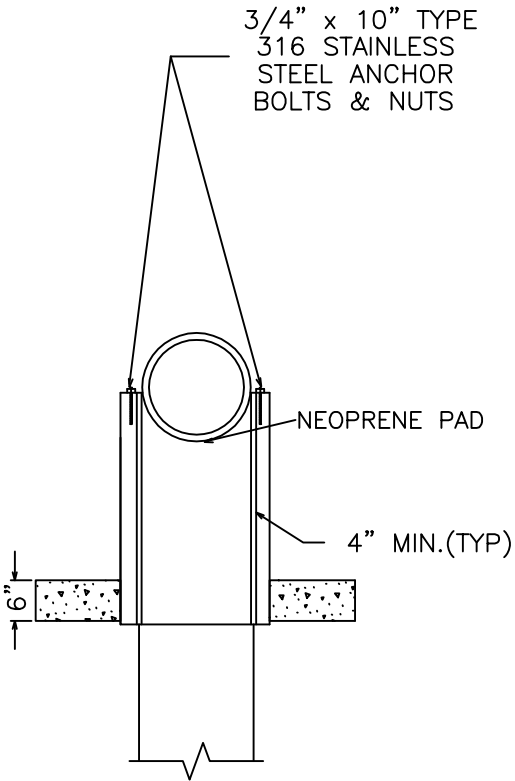
SADDLE ANGLE

SADDLE ANGLE MUST BE BETWEEN 90° & 120°

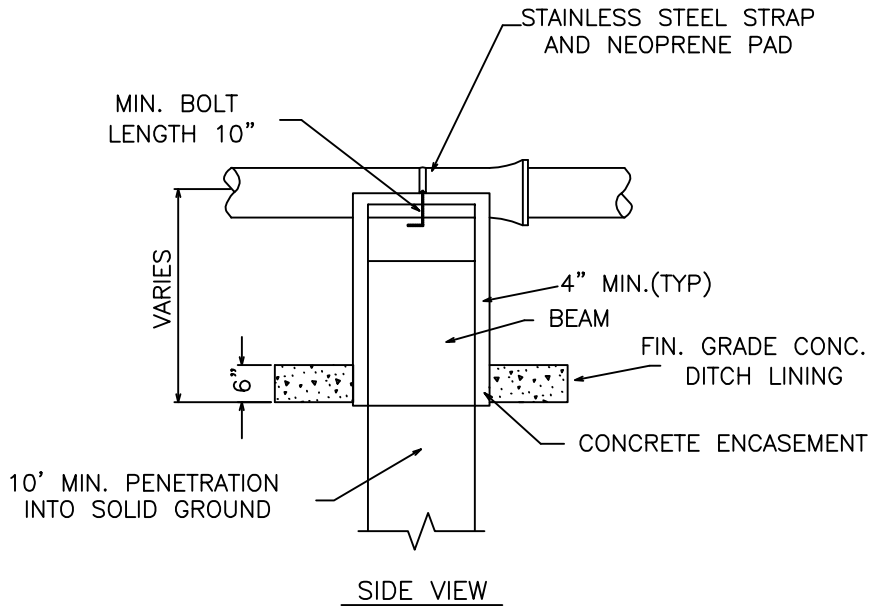
MINIMUM SIZE ANCHOR BOLTS $\frac{3}{4}$ " X 10"
 CONCRETE MUST BE POURED TWO FEET BELOW EXISTING GRADE IF NO CONCRETE DITCH LINING EXISTS
 CONCRETE; 5000 PSI MINIMUM
 β = SADDLE ANGLE
 CUT WIDE FLANGE TO MAKE SADDLE UNDER PIPE
 SET NEOPRENE PAD, $\frac{3}{4}$ " THICK FOR FULL CIRCUMFERENCE OF PIPE, 50 DUROMETER HARDNESS
 NEOPRENE PAD SHALL BE INSTALLED IN ALL AREAS WHERE PIPE IS ADJACENT TO TO CONCRETE OR STRAPS



TOP VIEW



FRONT VIEW



SIDE VIEW

MISCELLANEOUS DETAILS

TITLE: STANDARD PIER FOR DI PIPE		DRAWING NO.:	
		150	
DESIGNED: TL	DATE: 09/00	SCALE:	NOT TO SCALE
CHECKED: BH	REVISED: 03/04		



WATER WORKS & SANITARY SEWER BOARD
 Montgomery Alabama