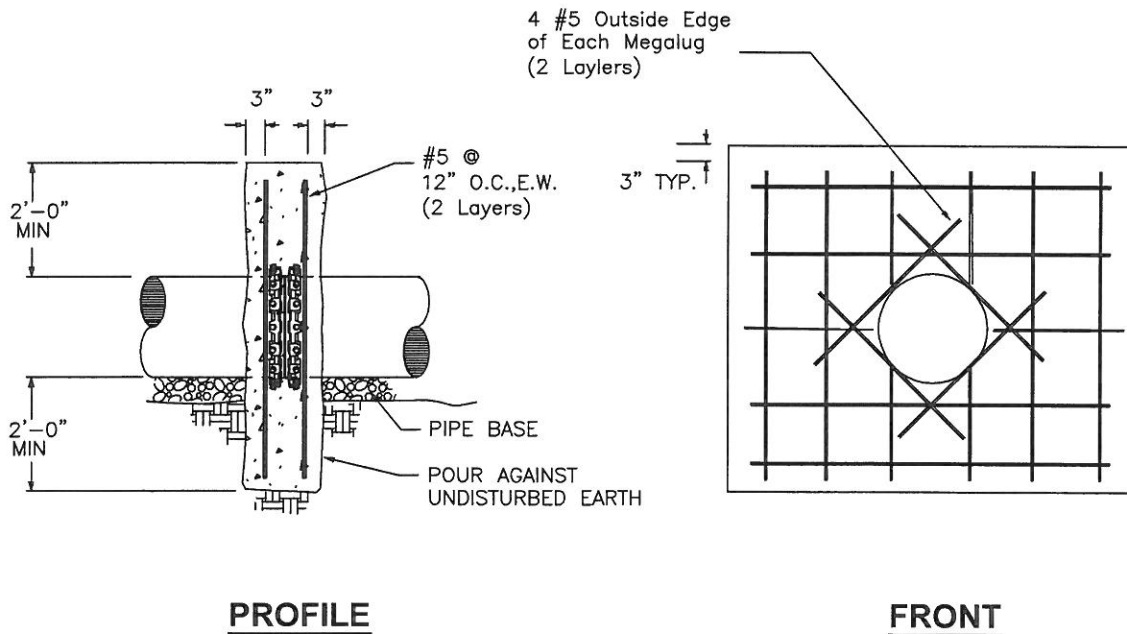
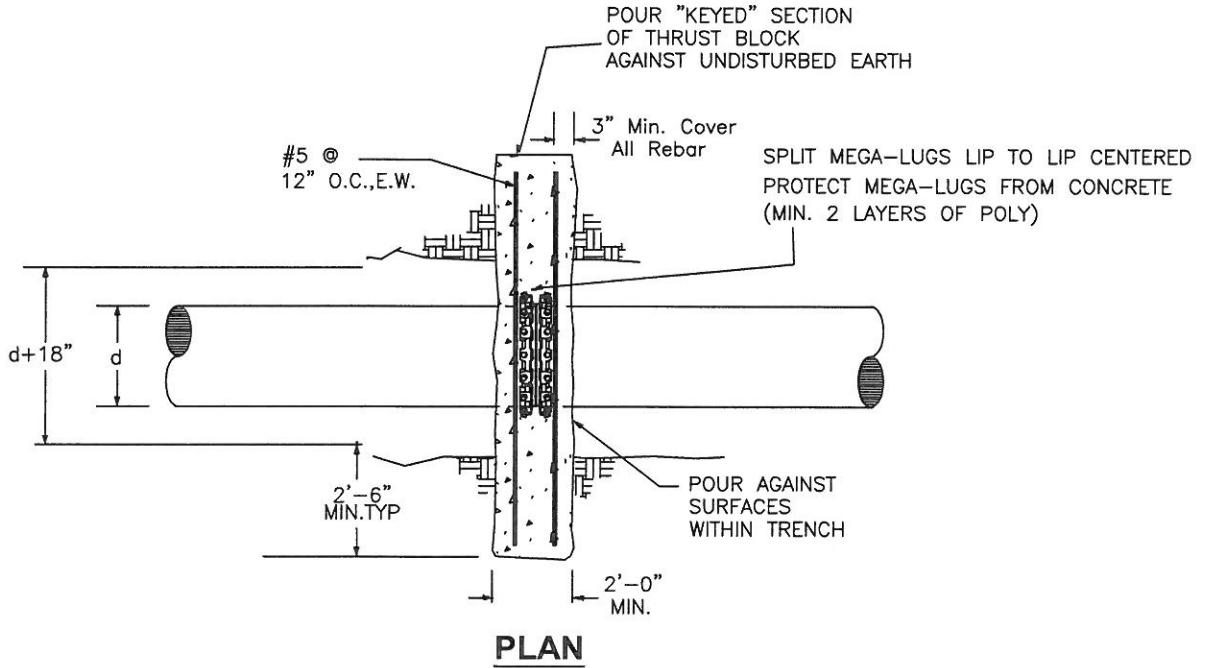


Note:
 Deadman to be Centered on Full Joint
 Minimum 4000 psi Concrete
 No Calcium Chloride Curing Accelerator Allowed



WATER
 WORKS & SANITARY SEWER BOARD
 Montgomery Alabama

MISCELLANEOUS DETAILS

TITLE: **REINFORCED THRUST BLOCK DEADMAN W/O RODS**

DRAWING NO.:

165

DESIGNED: CN	DATE: 01/09	SCALE: NOT TO SCALE
CHECKED: BH	REVISED:	