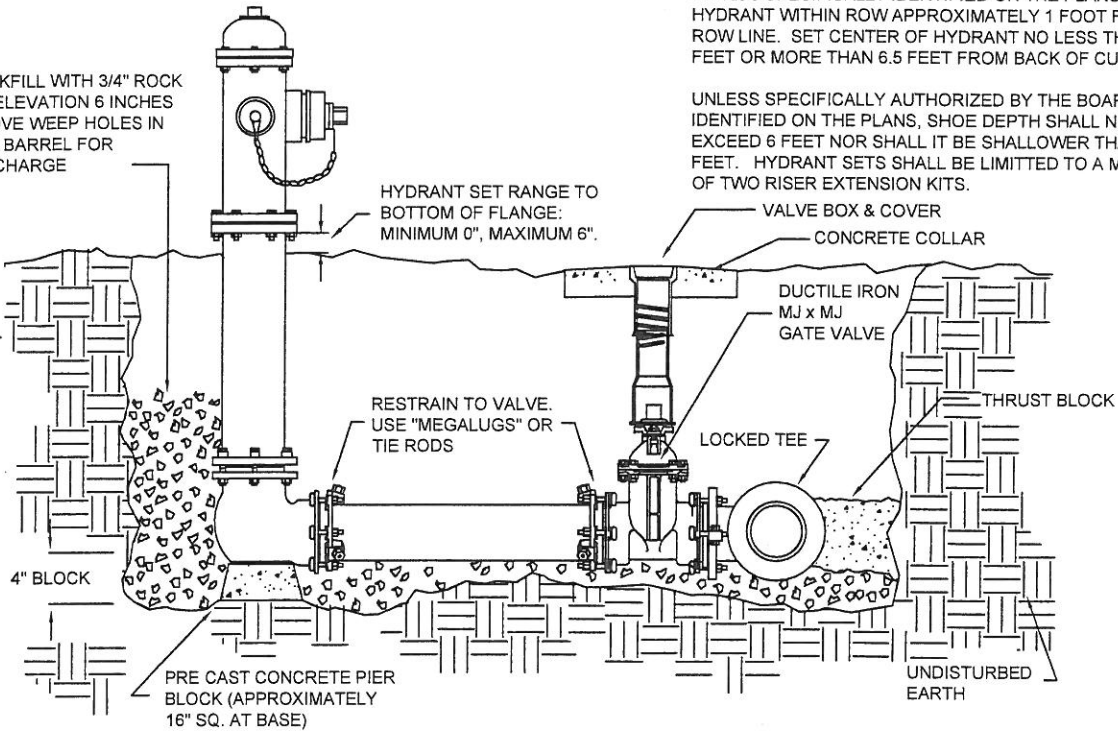


NOTES:

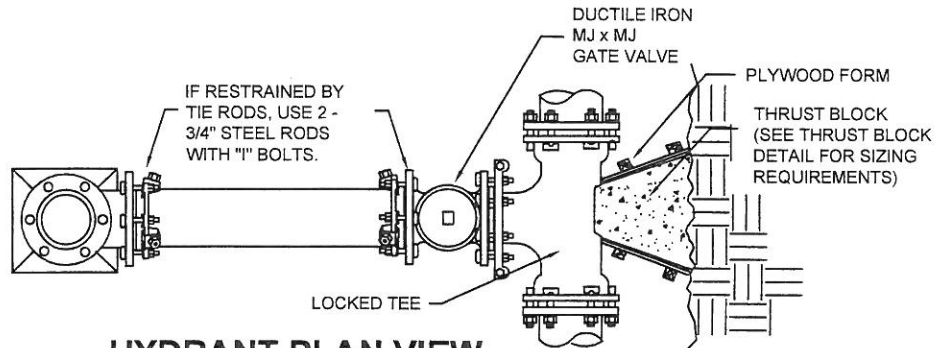
UNLESS SPECIFICALLY IDENTIFIED ON THE PLANS, LOCATE HYDRANT WITHIN ROW APPROXIMATELY 1 FOOT FROM ROW LINE. SET CENTER OF HYDRANT NO LESS THAN 3 FEET OR MORE THAN 6.5 FEET FROM BACK OF CURB.

UNLESS SPECIFICALLY AUTHORIZED BY THE BOARD OR IDENTIFIED ON THE PLANS, SHOE DEPTH SHALL NOT EXCEED 6 FEET NOR SHALL IT BE SHALLOWER THAN 3 FEET. HYDRANT SETS SHALL BE LIMITED TO A MAXIMUM OF TWO RISER EXTENSION KITS.

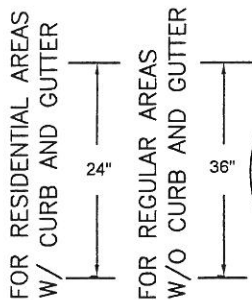
BACKFILL WITH 3/4" ROCK TO ELEVATION 6 INCHES ABOVE WEEP HOLES IN THE BARREL FOR DISCHARGE



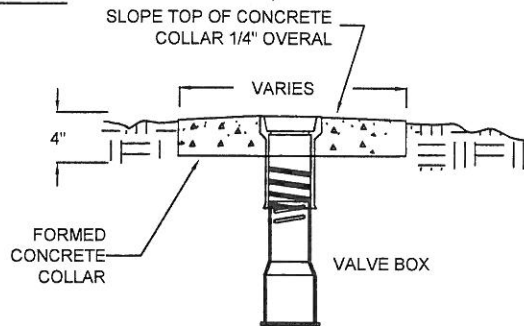
HYDRANT SECTION VIEW



HYDRANT PLAN VIEW



VALVE BOX PLAN VIEW



VALVE BOX SECTION VIEW



WATER WORKS & SANITARY SEWER BOARD
Montgomery Alabama

WATER DISTRIBUTION DETAILS

TITLE:		LOCKED TEE FIRE HYDRANT SET		DRAWING NO.:	200
DESIGNED:	SS	DATE:	02/08	SCALE:	
CHECKED:	TL	REVISED:	06/14		