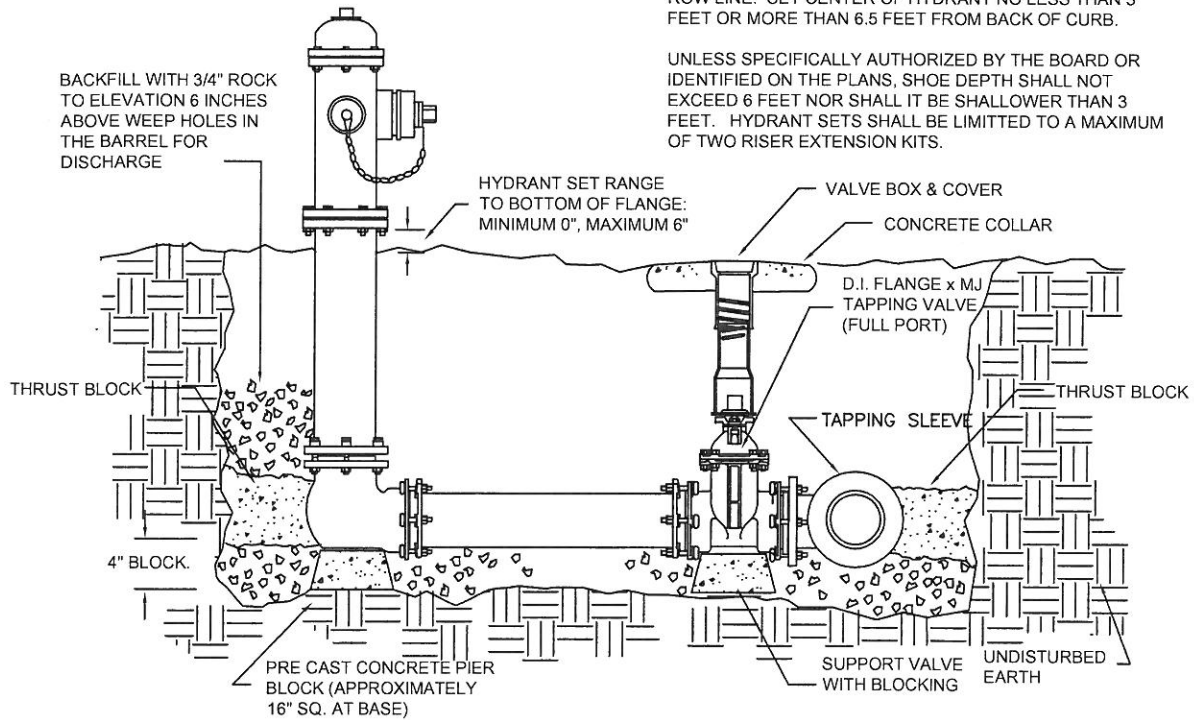


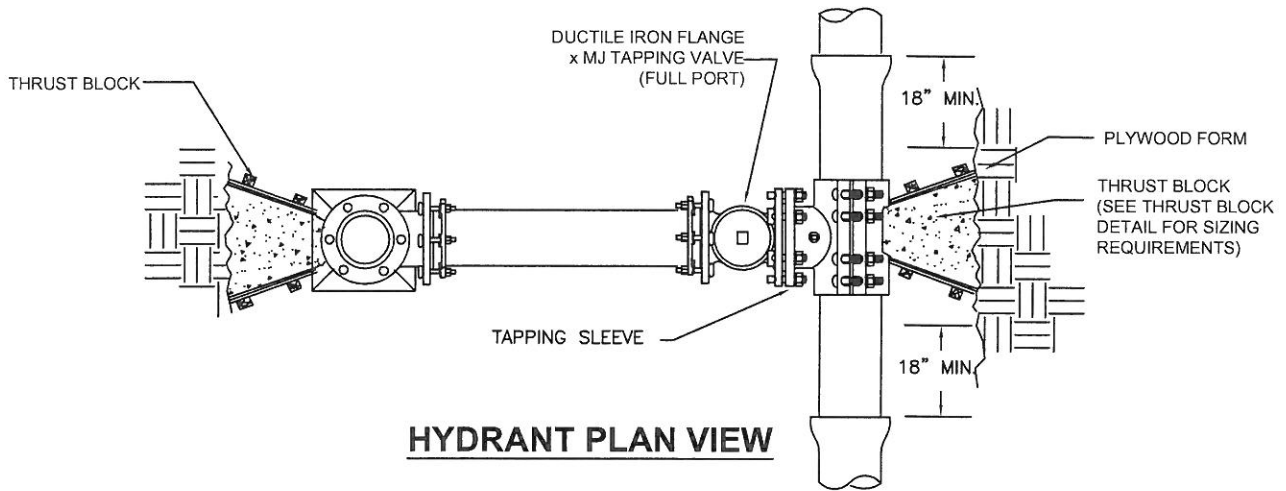
NOTES:

UNLESS SPECIFICALLY IDENTIFIED ON THE PLANS, LOCATE HYDRANT WITHIN ROW APPROXIMATELY 1 FOOT FROM ROW LINE. SET CENTER OF HYDRANT NO LESS THAN 3 FEET OR MORE THAN 6.5 FEET FROM BACK OF CURB.

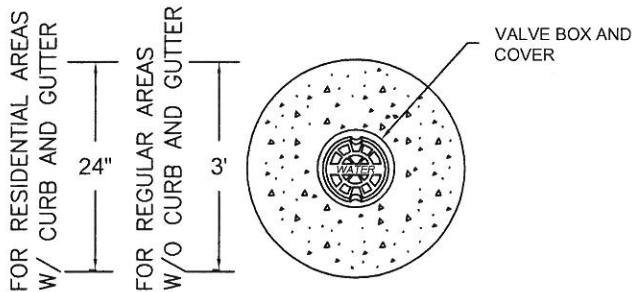
UNLESS SPECIFICALLY AUTHORIZED BY THE BOARD OR IDENTIFIED ON THE PLANS, SHOE DEPTH SHALL NOT EXCEED 6 FEET NOR SHALL IT BE SHALLOWER THAN 3 FEET. HYDRANT SETS SHALL BE LIMITED TO A MAXIMUM OF TWO RISER EXTENSION KITS.



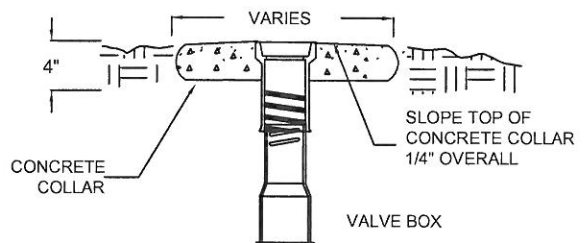
HYDRANT SECTION VIEW



HYDRANT PLAN VIEW



VALVE BOX PLAN VIEW



VALVE BOX SECTION VIEW



WATER
WORKS & SANITARY SEWER BOARD
Montgomery Alabama

WATER DISTRIBUTION DETAILS

TITLE: CLASS PIPE TAPPING SLEEVE
AND VALVE
FIRE HYDRANT SET

DRAWING NO.:

206

DESIGNED: SS	DATE: 01/06	SCALE: NOT TO SCALE
CHECKED: TL	REVISED: 06/14	