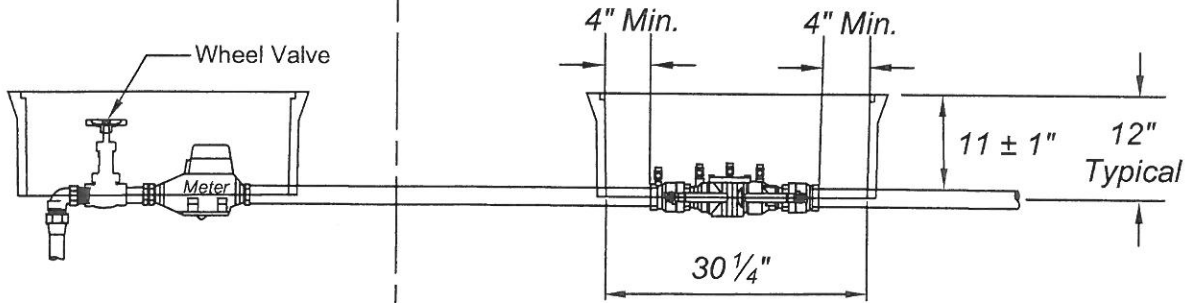


Plan View



Profile View

Notes

Top of all meter boxes shall be flush with the final grade.

Backflow device along with concrete meter box shall be located on property directly behind the meter.

All meter and backflow device assemblies shall be centered and facing upright under cast iron meter lid for ease of servicing.

Caution must be exercised when setting the bottom section of a meter box to assure that the copper lateral has sufficient clearance. The weight of the meter box must not be resting on the service piping.



**W**ATER  
WORKS & SANITARY SEWER BOARD  
Montgomery Alabama

**WATER DISTRIBUTION DETAIL**

TITLE: 1 1/2" - 2" BACKFLOW PLACEMENT

DRAWING NO.:

211

DESIGNED: KS DATE: 07/13 SCALE: NOT TO SCALE  
CHECKED: TL REVISED: