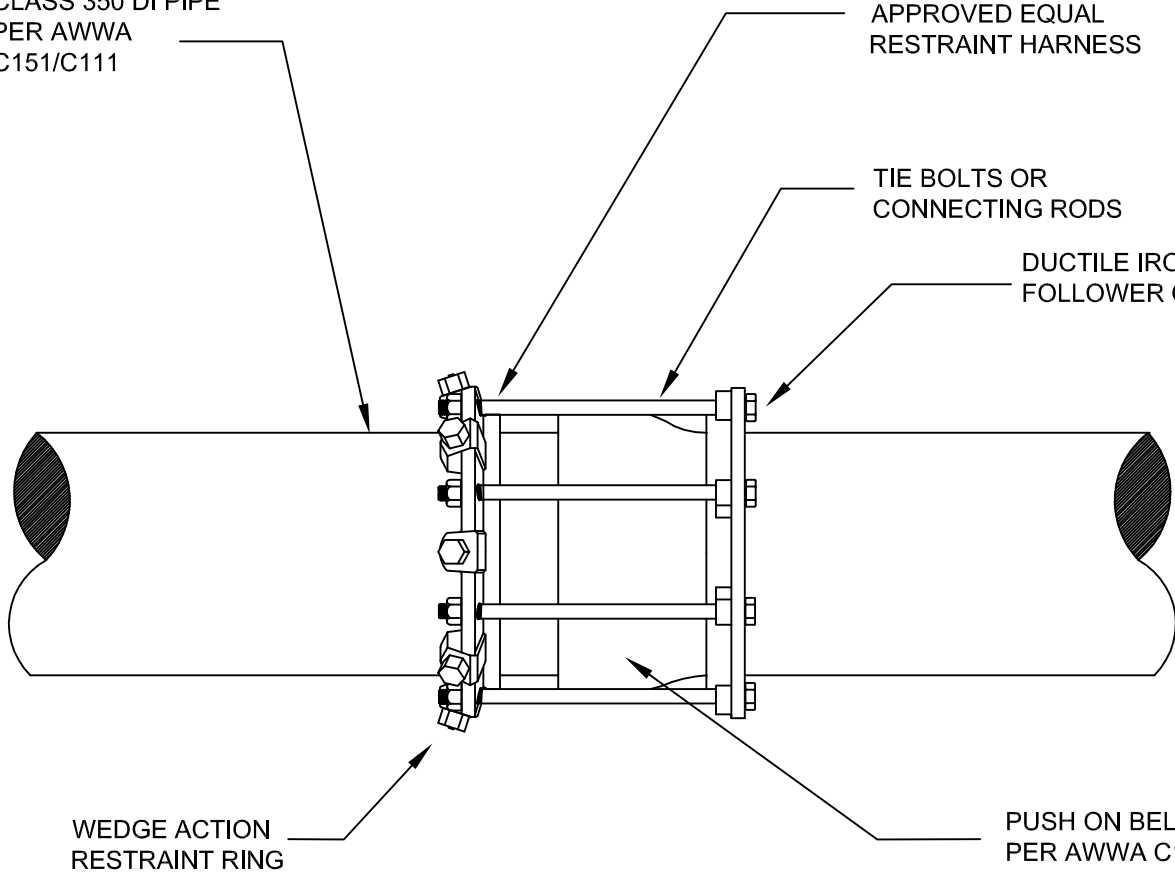


CLASS 350 DI PIPE
PER AWWA
C151/C111

MEGALUG SERIES 1700,
FORD SERIES 1450, OR
APPROVED EQUAL
RESTRAINT HARNESS

TIE BOLTS OR
CONNECTING RODS

DUCTILE IRON
FOLLOWER GLAND



WEDGE ACTION
RESTRAINT RING

PUSH ON BELL JOINT
PER AWWA C111

**WEDGE ACTION RESTRAINT HARNESS
FOR DUCTILE IRON PIPE BELLS**

NOMINAL PIPE SIZE	EBBA IRON "MEGALUG" SERIES 1700			FORD SERIES 1450			RATED PRESSURE
	SERIES NUMBER	# OF TIE BOLTS	TIE BOLT SIZE	CATALOG NUMBER	# OF CONNECTING RODS	CONNECTING ROD SIZE	
4"	1704	2	3/4" x 12"	UFR1450-D-4	4	3/4" x 17"	350 PSI
6"	1706	4	3/4" x 17"	UFR1450-D-6	6	3/4" x 17"	350 PSI
8"	1708	4	3/4" x 17"	UFR1450-D-8	6	3/4" x 17"	350 PSI
10"	1710	6	3/4" x 17"	UFR1450-D-10	8	3/4" x 24"	350 PSI
12"	1712	8	3/4" x 17"	UFR1450-D-12	8	3/4" x 24"	350 PSI
14"	1714	10	3/4" x 17"	UFR1450-D-14	10	3/4" x 24"	350 PSI
16"	1716	12	3/4" x 17"	UFR1450-D-16	12	3/4" x 24"	350 PSI

**WEDGE ACTION RESTRAINT HARNESS
FOR PVC PIPE BELLS**

NOMINAL PIPE SIZE	EBBA IRON "MEGALUG" SERIES 1600			FORD SERIES 1390-C			RATED PRESSURE
	SERIES NUMBER	# OF TIE BOLTS	TIE BOLT SIZE	CATALOG NUMBER	# OF CONNECTING RODS	CONNECTING ROD SIZE	
4"	1604	2	3/4" x 13"	UFR1390-C-4	2	3/4" x 17"	200 PSI
6"	1606	2	3/4" x 18"	UFR1390-C-6	2	3/4" x 17"	200 PSI
8"	1608	2	3/4" x 18"	UFR1390-C-8	2	3/4" x 17"	200 PSI
10"	1610	4	3/4" x 22"	UFR1390-C-10	4	3/4" x 24"	200 PSI
12"	1612	4	3/4" x 22"	UFR1390-C-12	4	3/4" x 24"	200 PSI

NOTE: RESTRAIN EACH JOINT WITHIN LENGTHS SHOWN ON DRAWINGS.

NOTE: POLYWRAP HARNESS.



WATER
WORKS & SANITARY SEWER BOARD
Montgomery Alabama

WATER DISTRIBUTION DETAILS

TITLE: **WEDGE ACTION RESTRAINT HARNESS**

DRAWING NO.:

270

DESIGNED: TL DATE: 09/00 SCALE: NOT TO SCALE
CHECKED: HR REVISED: 04/04