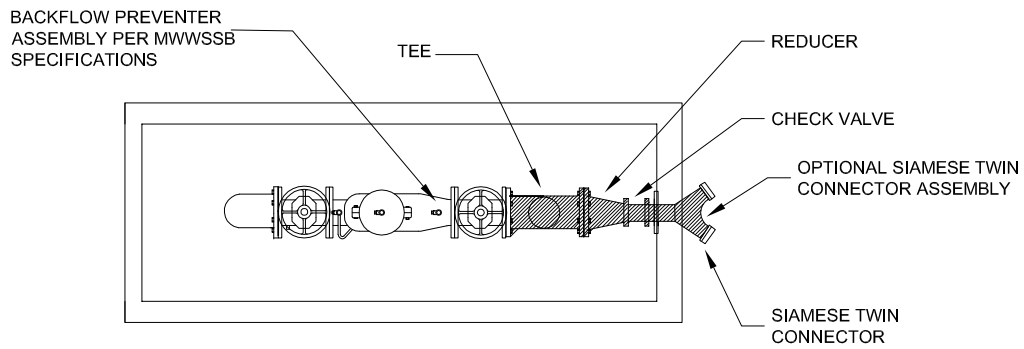
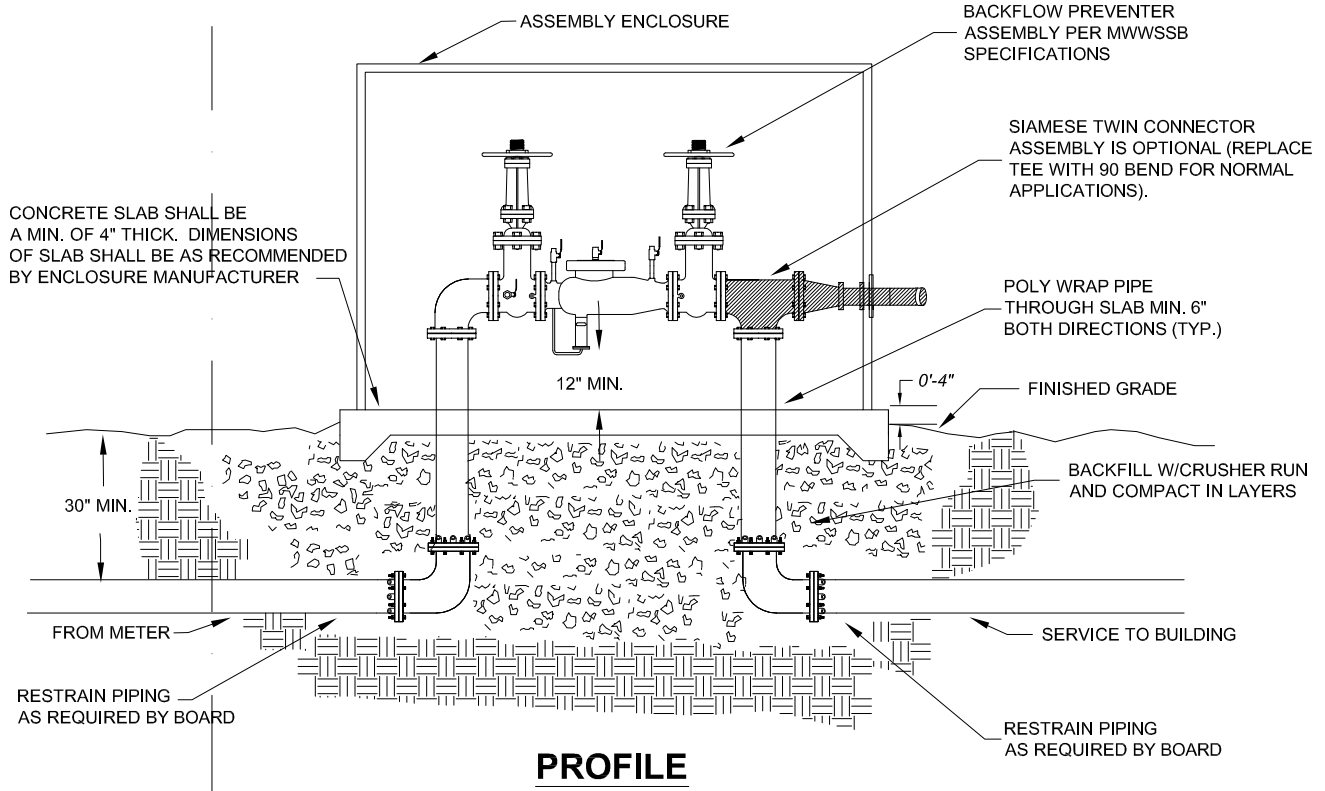


PROPERTY LINE
OR EASEMENT LINE



PLAN



PROFILE

NOTES

1. REDUCED PRESSURE PRINCIPLE BACKFLOW ASSEMBLIES (RPBAs) SHALL BE AS REQUIRED BY THE BOARD'S CROSS-CONNECTION AND BACKFLOW PREVENTION POLICY (LATEST REVISION). ASSEMBLIES APPROVED FOR INSTALLATION INCLUDE: AMES 4000SS, FEBCO MASTER SERIES 860, WATTS SERIES 009, AND WATTS SERIES 909.
2. RPBAs SHALL NOT BE BURIED OR INSTALLED IN BELOW GROUND VAULTS. THE DEVICE SHALL BE INSTALLED ABOVE GROUND AND LOCATED TO PREVENT THE RELIEF OR VENT OPENING FROM BEING SUBMERGED AT ANY TIME.
3. ASSEMBLY ENCLOSURES SHALL BE CONCRETE, REINFORCED ALUMINUM, OR FIBERGLASS CONSTRUCTION, PROVIDING ACCESS THROUGH DOORS AND/OR HINGED LID FOR TESTING AND MAINTENANCE PURPOSES. THE ENCLOSURES SHALL BE "LOCKABLE" TO PROTECT AGAINST VANDALISM. THE ENCLOSURES SHALL HAVE DRAIN OPENINGS SIZED TO ACCOMMODATE THE MAXIMUM DISCHARGE UNDER THE MOST SEVERE CONDITIONS. DISCHARGE POINTS SHALL BE PROTECTED AGAINST INTRUSION OF EITHER WIND, DEBRIS, OR ANIMALS.
4. THE ENCLOSURE SYSTEM SHALL BE CONSTRUCTED, INSTALLED, AND HEATED SO AS TO ENSURE AGAINST FREEZING. ENCLOSURES APPROVED FOR INSTALLATION INCLUDE: HYDROCOWL, HOT BOX, AND LOK BOX.
5. BACKFLOW PREVENTION DEVICES SHALL BE TESTED IMMEDIATELY AFTER INSTALLATION.

WATER DISTRIBUTION DETAILS

TITLE:		DRAWING NO.:	
LARGE RPBA SET		280	
GREATER THAN 2"			
DESIGNED:	TL	DATE:	09/00
CHECKED:	BH	SCALE:	NOT TO SCALE



WATER
WORKS & SANITARY SEWER BOARD
Montgomery Alabama