

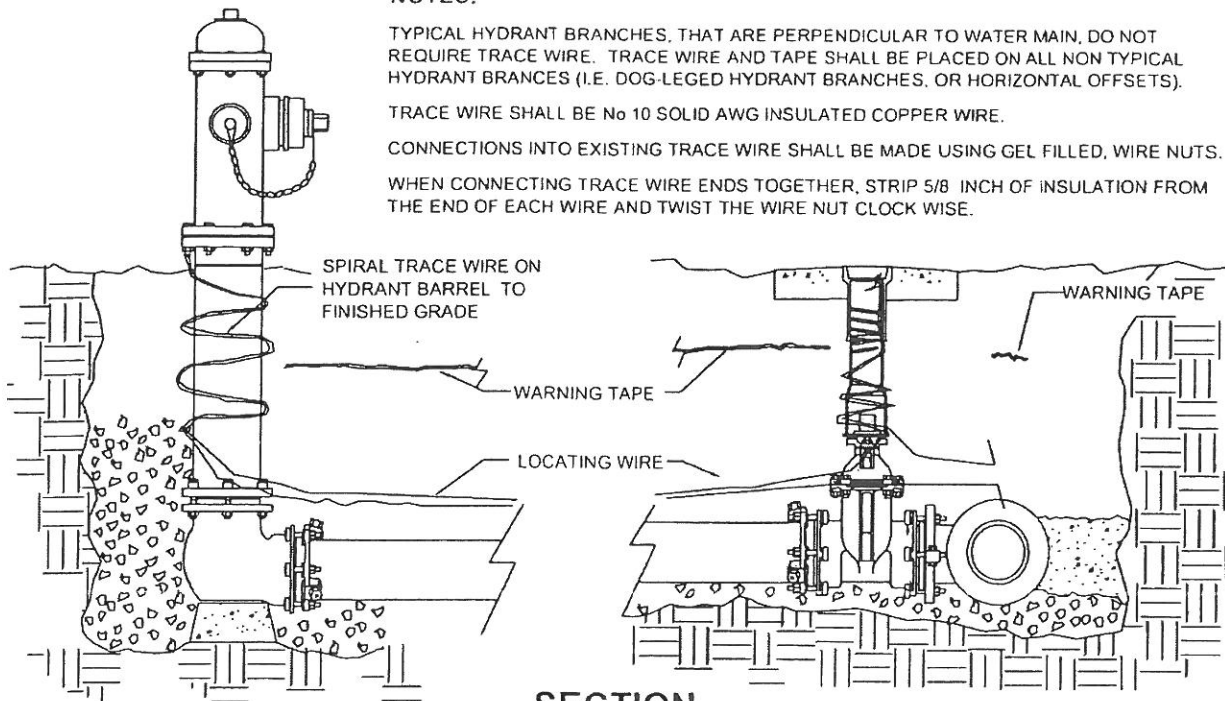
**NOTES:**

TYPICAL HYDRANT BRANCHES, THAT ARE PERPENDICULAR TO WATER MAIN, DO NOT REQUIRE TRACE WIRE. TRACE WIRE AND TAPE SHALL BE PLACED ON ALL NON TYPICAL HYDRANT BRANCES (I.E. DOG-LEGED HYDRANT BRANCHES, OR HORIZONTAL OFFSETS).

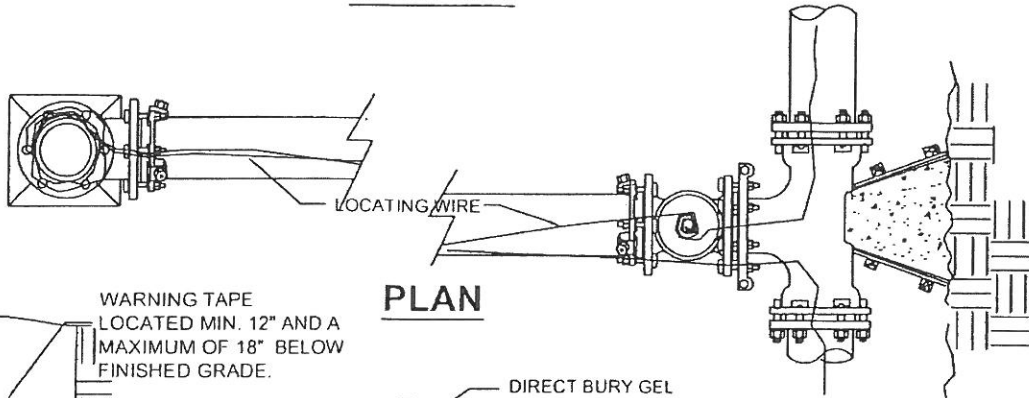
TRACE WIRE SHALL BE No 10 SOLID AWG INSULATED COPPER WIRE.

CONNECTIONS INTO EXISTING TRACE WIRE SHALL BE MADE USING GEL FILLED, WIRE NUTS.

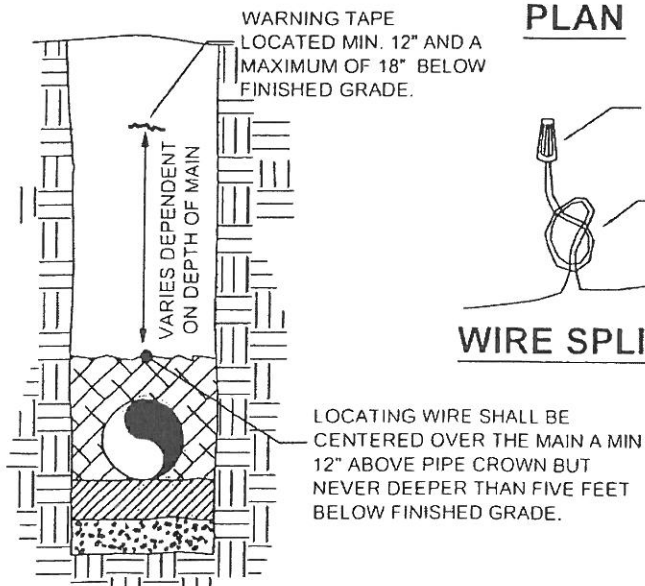
WHEN CONNECTING TRACE WIRE ENDS TOGETHER, STRIP 5/8 INCH OF INSULATION FROM THE END OF EACH WIRE AND TWIST THE WIRE NUT CLOCK WISE.



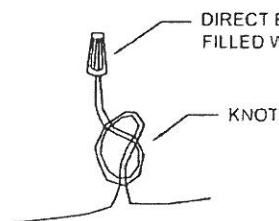
**SECTION**



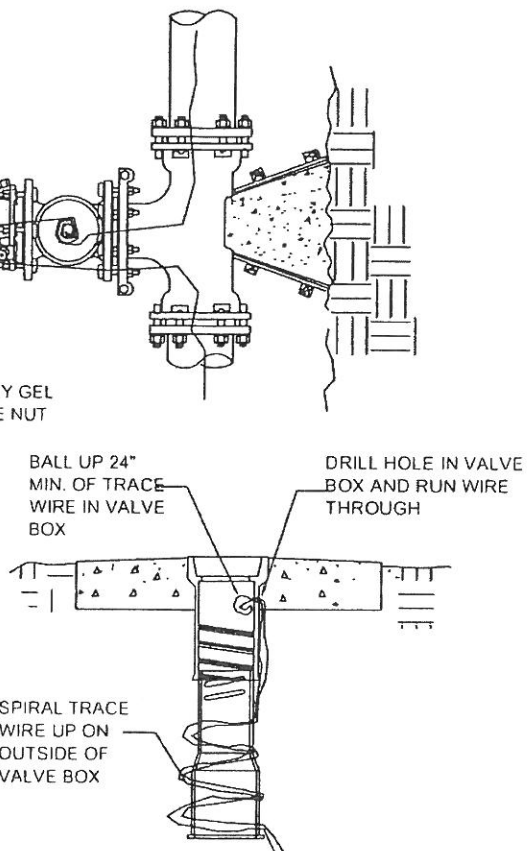
**PLAN**



**TRENCH LAYOUT**



**WIRE SPLICE**



**VALVE BOX SECTION**



**W**ATER WORKS & SANITARY SEWER BOARD  
Montgomery, Alabama

**WATER DISTRIBUTION DETAILS**

TITLE: **LOCATING WIRE & WARNING TAPE LAYOUT**

DRAWING NO.

295

DESIGNED	TL	DATE	02/09	SCALE	NOT TO SCALE
CHECKED	HR	REVISED			