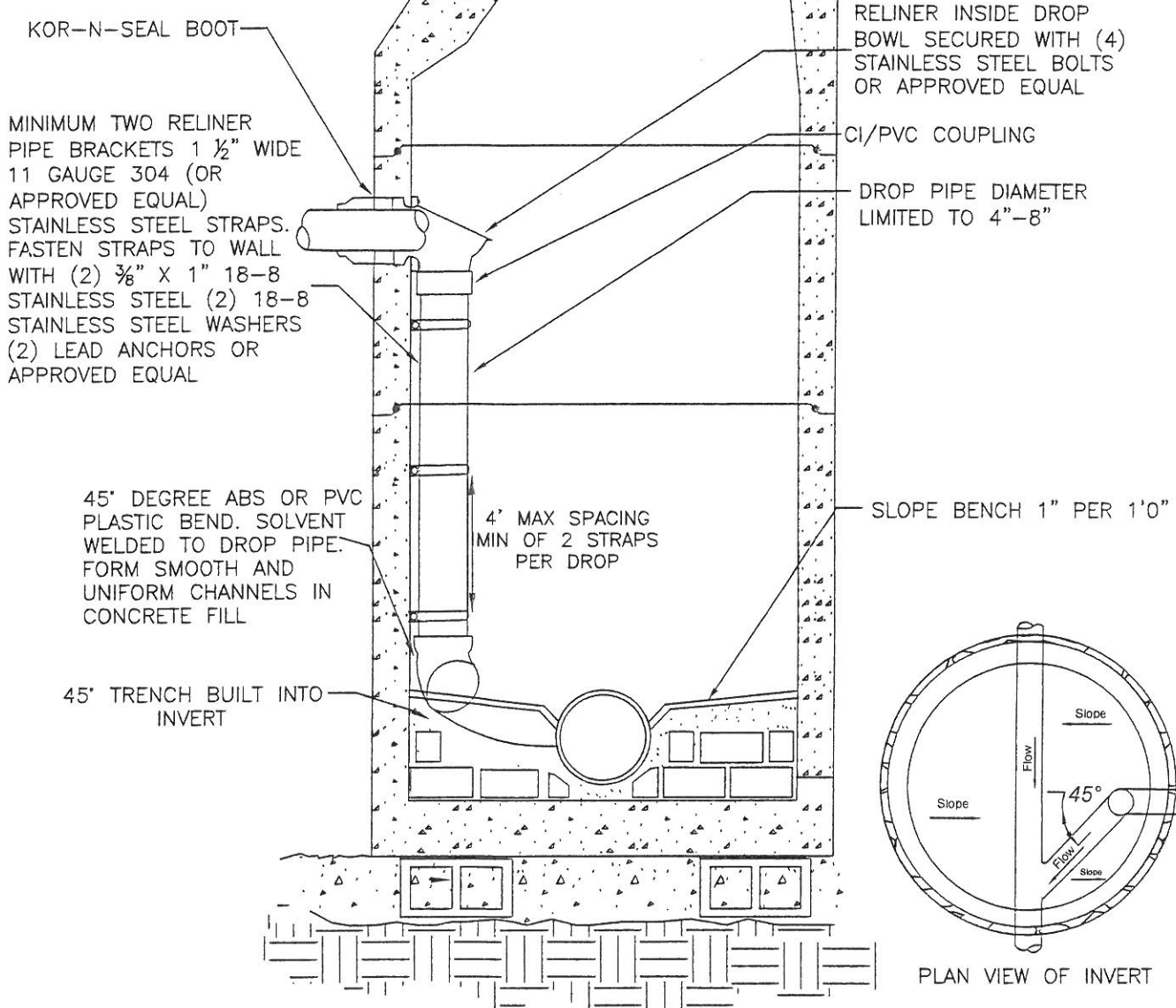


DROP BOWL  
DETAIL VIEW



KOR-N-SEAL BOOT

MINIMUM TWO RELINER  
PIPE BRACKETS 1 1/2" WIDE  
11 GAUGE 304 (OR  
APPROVED EQUAL)  
STAINLESS STEEL STRAPS.  
FASTEN STRAPS TO WALL  
WITH (2) 3/8" X 1" 18-8  
STAINLESS STEEL (2) 18-8  
STAINLESS STEEL WASHERS  
(2) LEAD ANCHORS OR  
APPROVED EQUAL

45° DEGREE ABS OR PVC  
PLASTIC BEND. SOLVENT  
WELDED TO DROP PIPE.  
FORM SMOOTH AND  
UNIFORM CHANNELS IN  
CONCRETE FILL

45° TRENCH BUILT INTO  
INVERT

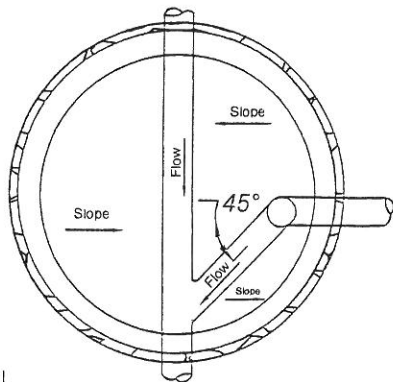
4' MAX SPACING  
MIN OF 2 STRAPS  
PER DROP

RELINER INSIDE DROP  
BOWL SECURED WITH (4)  
STAINLESS STEEL BOLTS  
OR APPROVED EQUAL

CI/PVC COUPLING

DROP PIPE DIAMETER  
LIMITED TO 4"-8"

SLOPE BENCH 1" PER 1'0"



PLAN VIEW OF INVERT

NOTE: NOT TO BE USED IN ANY MANHOLE IN WHICH AN INTERIOR DROP CONNECTION ALREADY EXISTS. TYPICAL DROP PIPE DIAMETER IS ONE SIZE SMALLER THAN FORCEMAIN DIAMETER.

SEE STANDARD MANHOLE DRAWING FOR OTHER MANHOLE DETAILS



**W**ATER  
WORKS & SANITARY SEWER BOARD  
Montgomery Alabama

**SANITARY SEWER DETAIL**

TITLE: <b>INTERIOR DROP CONNECTION</b>		DRAWING NO. <b>302</b>	
DESIGNED CHECKED:	KS TL	DATE REVISED:	05/13 NOT TO SCALE