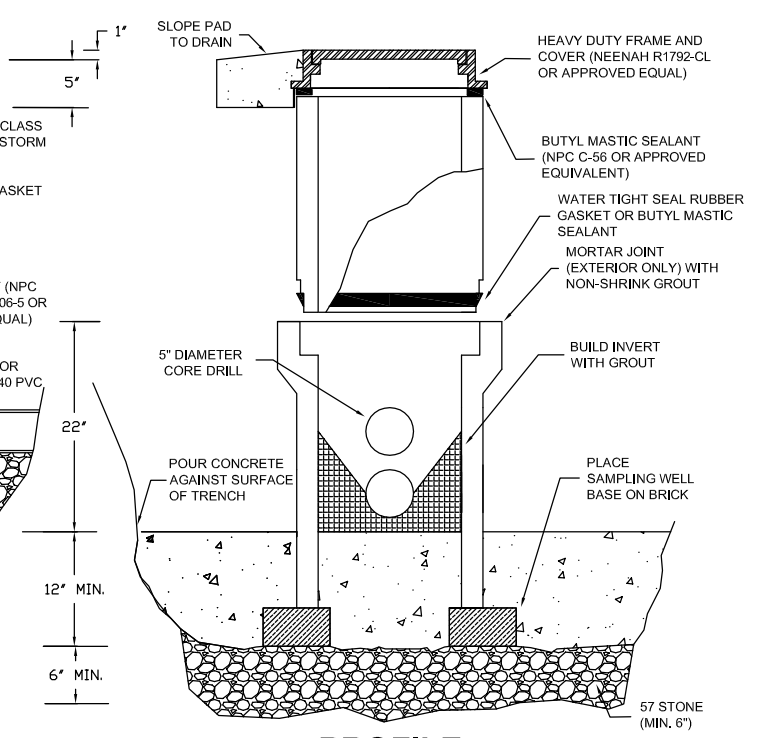
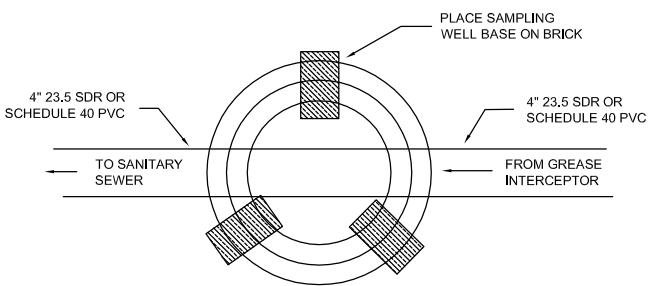


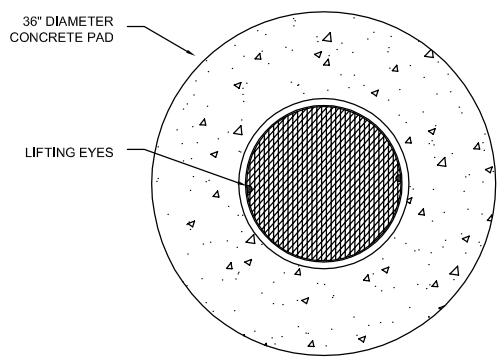
PROFILE



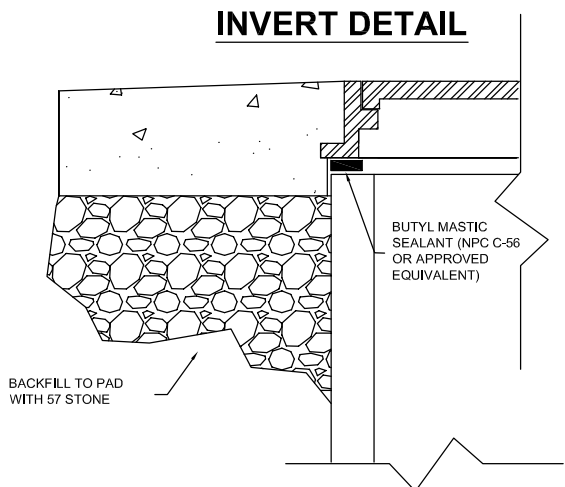
PROFILE



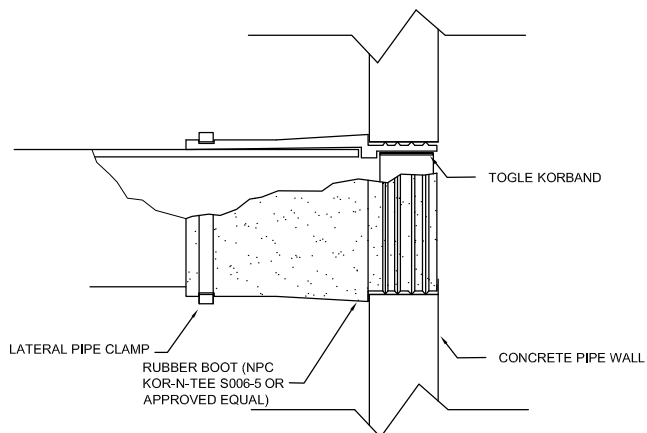
INVERT DETAIL



FRAME AND COVER DETAIL



PAD SECTION



KOR-N-TEE SECTION

NOTE: PARK ENVIRONMENTAL EQUIPMENT SAMPLE WELL (BASIN MODEL SWB15) OR FULL SIZE MANHOLE CAN BE SUBSTITUTED FOR THE ABOVE DESIGN. FULL SIZE MANHOLES WILL REQUIRE VACUUM TESTING PRIOR TO SERVICE.



WATER
WORKS & SANITARY SEWER BOARD
Montgomery Alabama

MISCELLANEOUS DETAILS

TITLE: **GREASE INTERCEPTOR SAMPLING WELL ALTERNATIVE**

DRAWING NO.:

371

DESIGNED: TL
CHECKED: XX

DATE: 09/06
REVISED:

SCALE: NOT TO SCALE